

# TK-S

**SERIES COOLING TOWER**  
MULTI-CELL 60-175 HRT COOLING CAPACITY

**TRUWATER**<sup>®</sup>

Modular Closed Circuit Crossflow Type



**ISO9001**  
CERTIFIED

LOW NOISE • SUPER LOW NOISE • ENERGY SAVING

**CTI**  
CERTIFIED



## INTRODUCTION

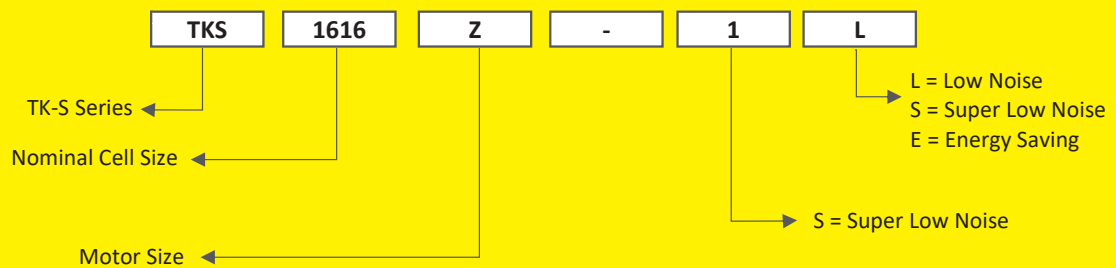
TK-S Series Closed Circuit Cooling Towers are used in the following applications: commercial air-conditioning, industrial processes, air compressors, welding machine cooling, mold water cooling, power plant auxiliary cooling, furnace cooling, transformer cooling, closed condenser loops and critical systems.

## ADVANTAGES

- Clean process fluids sustain the performance of high efficiency components
- Energy saving by operating on free cooling mode during cold weather
- Reduces the cleaning of heat exchanger
- Extend the life of the equipment
- Save water treatment cost



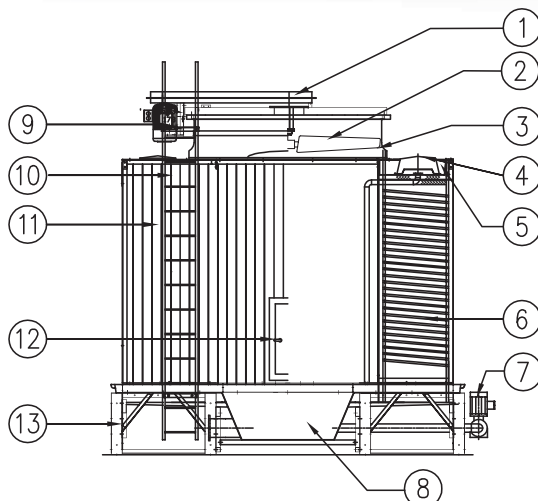
### Example of Model Definition



## UNIQUE FEATURES

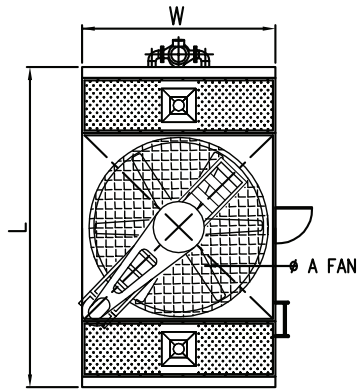
- Uniform spray distribution increases cooling capability
- The interlaced arrangement of the fill packs & coil bundles increase the cooling capability
- Internal piping connections for easy installation
- Space saving & light weight
- High efficiency fan optimizes energy consumption
- Factory preassembled for easy transport & site installation

## FEATURES

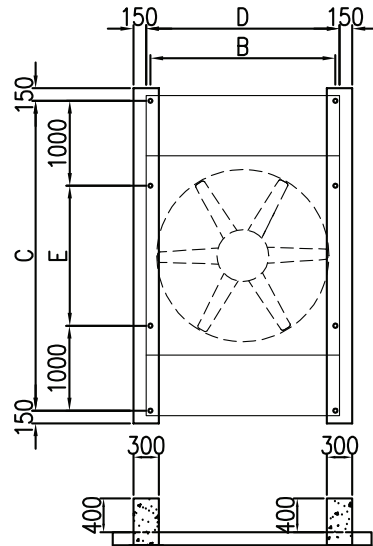


No	Description	Material / Specification
1	V-Belt and Pulley System	FRP Pulley Cover
2	Fan Assembly	Aluminum Alloy
3	Fan Stack	FRP
4	Hot Water Distribution Box	FRP
5	Hot Water Basin	FRP
6	Coil & Infill	Copper & PVC
7	Spray Pump	-
8	Suction Sump	FRP
9	Motor	Weather Proof TEFC Type
10	Ladder	HDG Steel
11	Casing / Louver	PVC
12	Inspection Door	FRP
13	Cold Water Basin Frame	HDG Steel

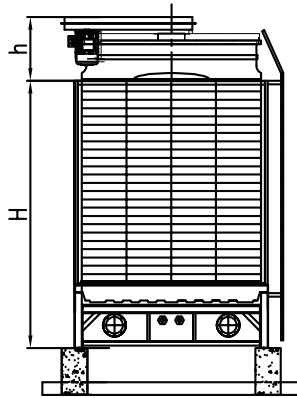
# OUTLINE AND FOUNDATION DRAWINGS



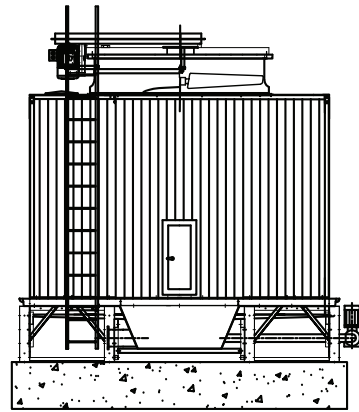
PLAN VIEW



RC FOUNDATION DETAIL



SIDE VIEW



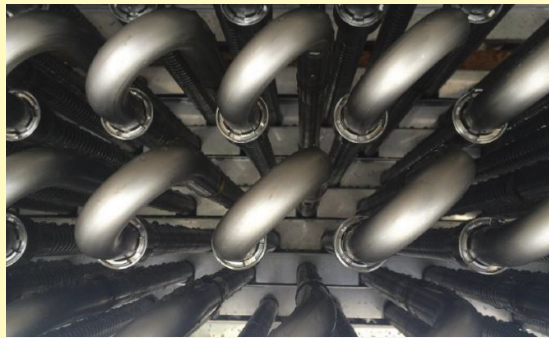
FRONT VIEW

NOTE : ALL DIMENSION IN MM.

## TK-S SERIES RANGE

Tower Model TKS	OVERALL DIMENSION				MOTOR				PUMP	AXIAL FLOW FAN				WEIGHT (KG)	
	L	W	H	h	Rated Output kW	Current at 380V / 415V 50 Hz	Type	Power Source	Rated Output kW	A	Fan Speed (RPM)	No of blades	Drive System	Dry Weight	Operating Weight
1616Z	3170	1680	2550	750	3	6.60 / 6.10	TEFC, Outdoor, 3 phase, Induction Motor, 4 poles	3 ph / 380V / 50hz or 3ph / 415V / 50hz	1.5	1400	450	Four (4) to Six (6)	V-Belt and Pulley	1250	2600
1616A	3170	1680	2550	750	4	8.80 / 8.10			1.5	1400	450			1265	2615
1616B	3170	1680	2550	750	5.5	11.0 / 9.93			1.5	1400	450			1290	2640
1816Z	3370	1880	2550	750	3	6.60 / 6.10			1.5	1600	450			1380	2930
1816A	3370	1880	2550	750	4	8.80 / 8.10			1.5	1600	450			1400	2950
1816B	3370	1880	2550	750	5.5	11.0 / 9.93			1.5	1600	450			1430	2980
1820A	3370	1880	2900	750	4	8.80 / 8.10			1.5	1600	450			1650	3750
1820B	3370	1880	2900	750	5.5	11.0 / 9.93			1.5	1600	450			1675	3775
1820C	3370	1880	2900	750	7.5	14.9 / 13.6			1.5	1600	450			1710	3810
2220A	3770	2280	2900	750	4	8.80 / 8.10			2.2	2000	428			1900	4600
2220B	3770	2280	2900	750	5.5	11.0 / 9.93			2.2	2000	428			1925	4625
2220C	3770	2280	2900	750	7.5	14.9 / 13.6			2.2	2000	428			1960	4660
2224B	3770	2280	3250	750	5.5	11.0 / 9.93			2.2	2000	428			2230	4900
2224C	3770	2280	3250	750	7.5	14.9 / 13.6			2.2	2000	428			2240	4910
2224D	3770	2280	3250	750	11	20.1 / 18.56			2.2	2000	428			2300	4970
2230B	3770	2280	3880	750	5.5	11.0 / 9.93			2.2	2000	428			2865	5500
2230C	3770	2280	3880	750	7.5	14.9 / 13.6	2.2	2000	428	2875	5510				
2230D	3770	2280	3880	750	11	20.1 / 18.56	2.2	2000	428	2935	5570				

*...providing solution to your cooling needs*



Member

**TRUWATER**<sup>®</sup>

**Truwater Cooling Towers Sdn Bhd** (188113-A)

Executive Suite 702, Block B, Kelana Business Centre, No. 97, Jalan SS7/2,  
Kelana Jaya, 47301 Petaling Jaya, Selangor, Malaysia

Tel. : +603 7880 8800 Fax : +603 7804 5519

E-mail : [Tw.Cooling@truwater.com.my](mailto:Tw.Cooling@truwater.com.my) Website : [www.truwater.com.my](http://www.truwater.com.my)

TKS/001/2018